



Product details

09 03 000 6201

High current contacts for type M

Description	High current contacts, type M Female contacts Contacts for female connectors Working current 10A max. Standard contacts Straight solder terminations Performance level 2 as per IEC 60603-2
RoHS compliant	Yes

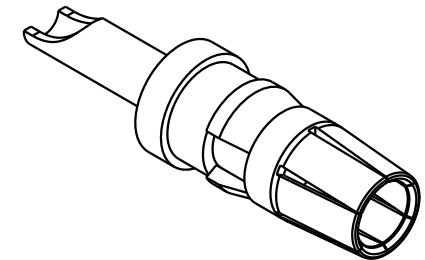
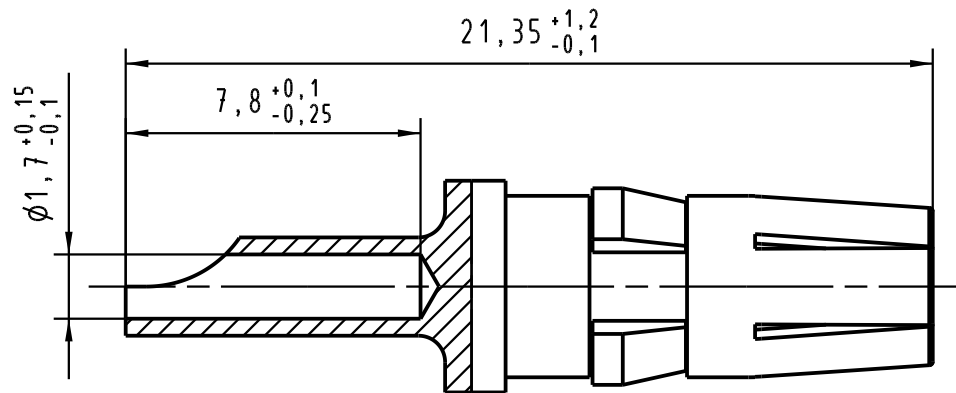
5



4

3

2

1



A	 All Dimensions in mm Original Size DIN A 4			Techn. Character. DIN 41626 Teil 1			Nicht tolerierte Maßel Free size tolerances DIN 41626 Teil 1			
					Dat.	Name	Maßstab/Scale 5 : 1	Hochstromkontaktbuchse 10A Löt für Federleiste Typ M <i>female power contact 10A solder for female connector type M</i>		
				Detail.	17.07.02	Buß.				
				Insp.	17.07.02	kfoe				
				Stand.						
	32669	18.04.05	Cla	HARTING Electronics GmbH & Co. KG D-32339 ESPELKAMP				TB 09 03 000 6201		Blatt / page /
	30079							Sub. TB 09 03 000 620. Mod. 14667 v. 21.04.93		
	Mod.	Dat.	Name							